

GE11 Lid Support Stay With Star Wheel Release

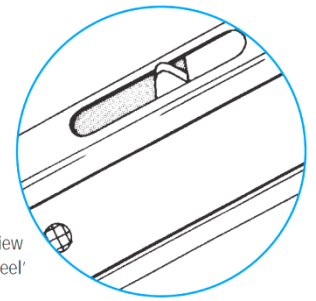
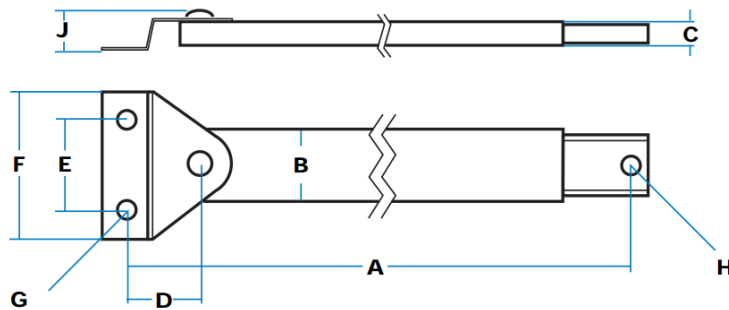
Upward opening · Top opening

Features

- This range of extensible stays provides a simple, and long-lasting method of supporting top-hinged doors and hatches
- The 'star-wheel' design allows automatic release – useful where two stays are fitted on a very wide panel
- Stay extends as door is opened, and locks in the extended position
- It is automatically released by a further slight extension, allowing unit to be closed
- Standard brackets (G03094) as illustrated for plant-on fitting
- Special model with thumb-screw fitment (illustrated below) also available

Material

- Mild steel, clear zinc-plated



Detailed view of 'star wheel' area.

Part No.	Type	A	B	C	D	E	F	G	H	J
GE11-G03098	Stay with 2 mounting brackets	When closed: 290	25	12	28	35	57	9	6	14
GE11-G03099	Stay with bottom mounting bracket									
GE11-G00557	Stay without mounting brackets	When extended: 495								
GE11-G00006	Stay with bottom mounting bracket and thumb-screw fitment									



Thumb-screw fitment

A weld-nut is fitted in the outer slide, so that the thumb-screw can be tightened, thus locking the stay at any intermediate position.